

# YTE Coupler Spare Parts Listing

Distributors

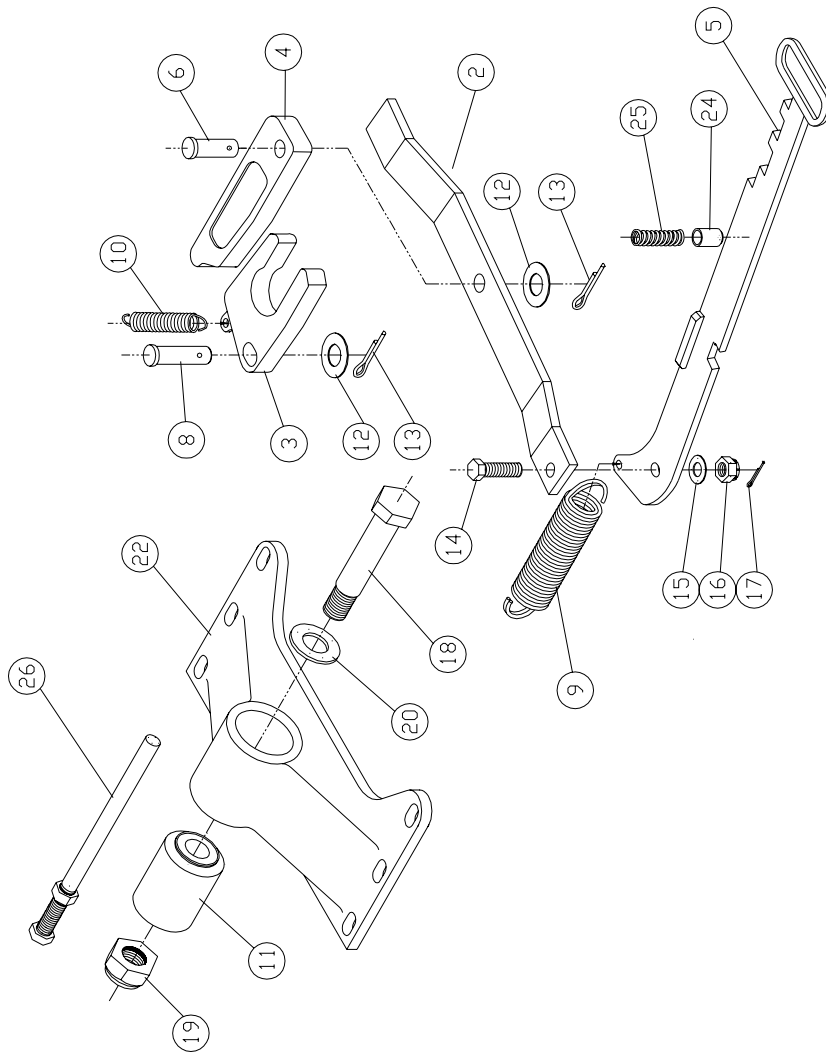
For Your Trailer Axle Suspension Needs Call York :

Head Office

Singapore

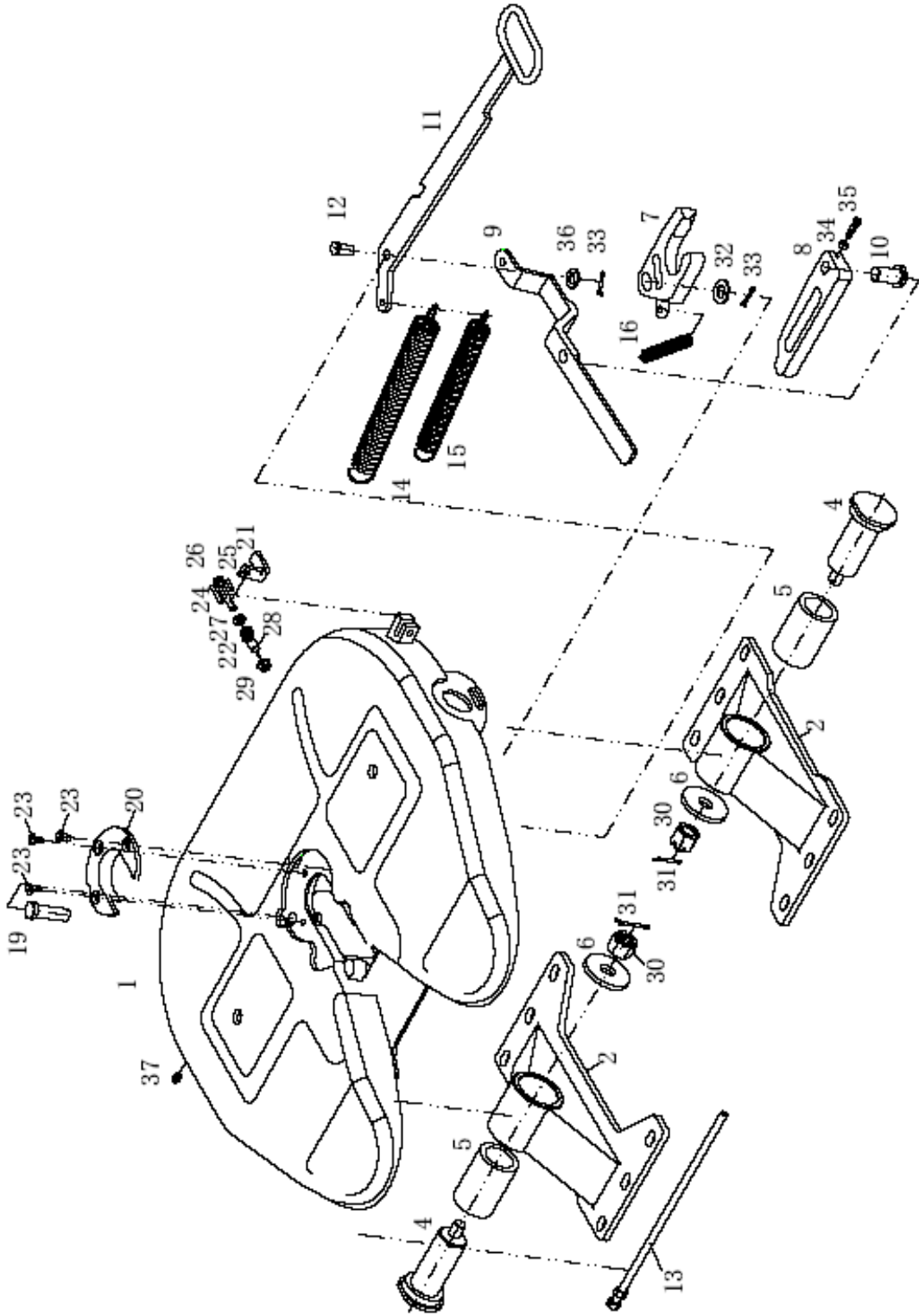
York Transport Equipment (Asia) Pte. Ltd.  
No. 5 Tuas Avenue 6, Singapore 639295  
Email : enquiry@yorktpt.com.sg  
Tel : (65) 6861 0577 Fax : (65) 6861 4045

<b><u>Content</u></b>	<b><u>Page</u></b>
<b>YTE Coupler Parts Listing:</b>	
1. Q Coupler MK2	2 - 3
a) Drawing	2
b) Spare Parts List	3
2. YC50-SA MK2	4 - 5
a) Drawing	4
b) Spare parts List	5
3. YC90-SA MK2	6 - 7
a) Drawing	6
b) Spare Parts List	7



Item 27 (Repair Kit):  
Items - 3,4,8,9,10,13 & 17

Item	Part No.	Description	Item	Part No.	Description
2	896418	Lever Assembly	16	CN16/200	M16 x 2.0 Castellated Nut
3	896021	Hook (896423)	17	SP3/25	3 Dia. x 25 LG Split Pin
4	896122	Wedge	18	896030	Pivot Bolt
5	896419	Handle	19	896428	M30 x 3.5 Locknut
6	896420	Lever Pin	20	896076	30 Dia. Disc-lock Washer
8	896026	Hook Pivot Pin (896424)	22a	896040/150	Cast Steel Bolt on Foot (6 Holes)
9	896039	Main Spring	22b	896040/180	Cast Steel Bolt on Foot (6 Holes)
10	500480	Hook Spring	22c	896040/210	Cast Steel Bolt on Foot (6 Holes)
11	896027	Pivot Bush	24	896049	Handle Plunger
12	FW20/45/2-0	20 Dia. Plain Washer	25	896050	Handle Plunger Spring
13	SP5/45	5 Dia. x 45 LG Split Pin	26	896125	Adjuster Rod
14	HB16/200/050	M16 x 2.0 x 50 LG Bolt	27	SB896161	Repair Kit
15	FW16/35/2-0	16 Dia. Plain Washer			

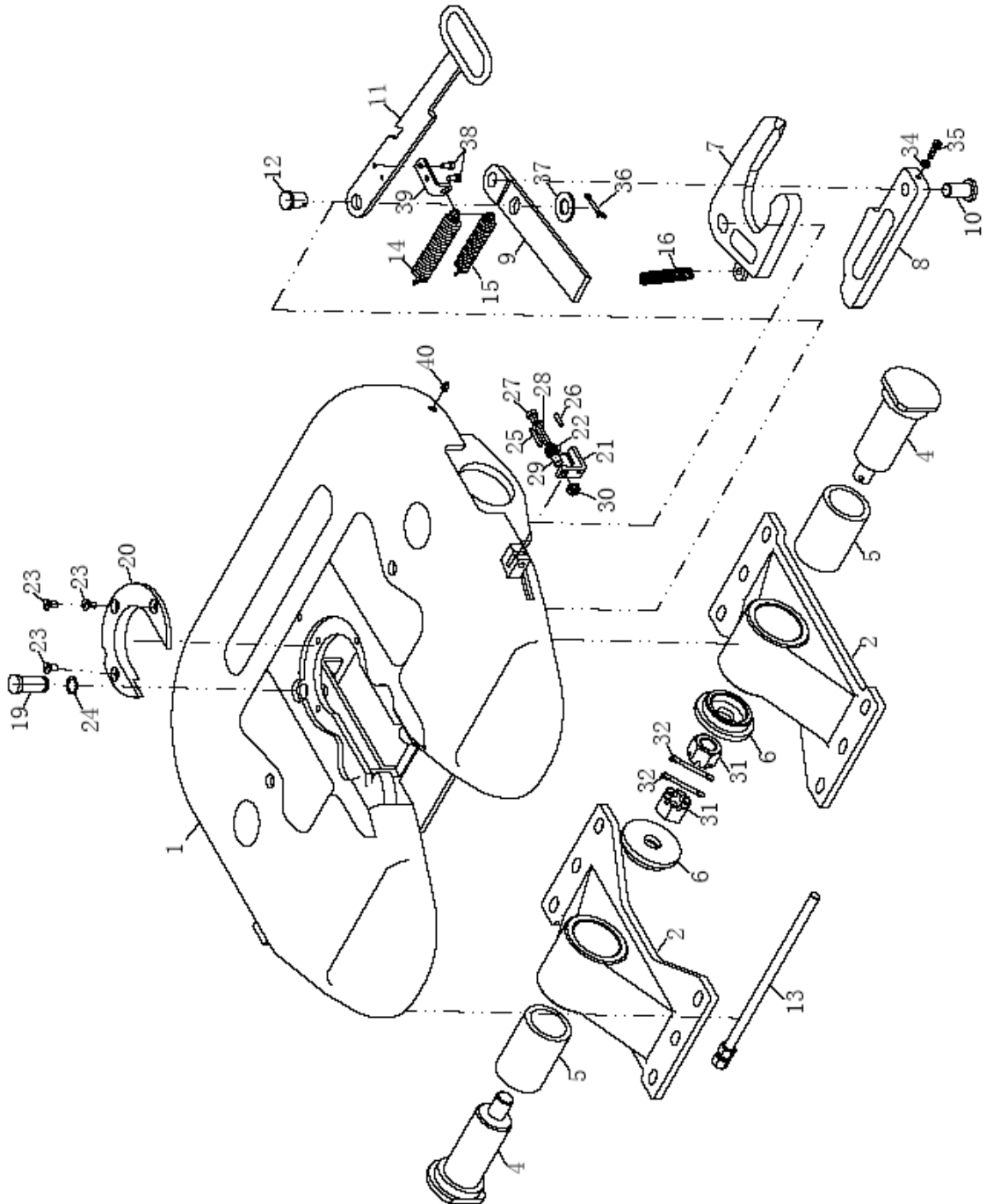


**YC50-SA MK2**

Item	Description	Part No.	Qty.	Item	Description	Part No.	Qty.
1	Top plate assy	QD50100C	1	21	Handle lock plate	QD50205	1
2	Mounting foot	QD50001	2	22	Handle lock spring	QD50206	1
4	Pivot pin	QD50015C	2	23	Countersunk bolt M12x20	CB12/175/020-GB68-85	3
5	Pivot bush	QD50011C	2	24	Spring Cotter pin Dia. 6x40	CP06/40-GB879-86	1
6	Washer, pivot pin	QD50012C	2	25	Spring Cotterpin Dia. 6x24	CP06/24-GB879-86	1
7	Hook	QD50006	1	26	Hex Bolt M10x1.5x65	HB10/150/065-GB5782-86	1
8	Wedge	QD50005	1	27	Flate washer M10	FW10-GB97.1-85	1
9	Lever assy	QD50300C	1	28	Handle lock plate tube	QD50207	1
10	Plunger bolt	QD50014	1	29	Flange nut M10x1.5	FN10/150-GB6187-86	1
11	Handle assy	QD50203C	1	30	Castellated nut M24x2.0	CB24/200-GB6181-86	2
12	Handle pin	QD50010C	1	31	Split pin Dia. 4x50	SP4/050-GB91-86	2
13	Adjusting rod assy	QD50400-401	1	32	Flate washer M20	FW20-GB95-85	1
14	Main Spring (outer)	QD50009	1	33	Split pin Dia. 4x30	SP3/030-GB91-86	2
15	Main Spring (inner)	QD50008	1	34	Full hex nut M8	FN08/125-GB41-86	1
16	Hook spring	QD50007	1	35	Socket cap bolt M8x30	CB08/030-GB70-85	1
19	Hook pin	QD50013	1	36	Flate washer M16	FW16-GB95-85	1
20	Wear ring	QD50120	1	37	Grease nipple Str M10x1	GN00-10/100-GB1152-89	1

**Repair Kit SPK190501**

Item	Description	Part No.	Qty.	Item	Description	Part No.	Qty.
5	Pivot bush	QD50011C	2	19	Hook Pivot Pin	QD50013	1
7	Hook	QD50006	1	20	Wear Ring	QD50120	1
8	Wedge	QD50005	1	23	Countersunk bolt M12x20	CB12/175/020-GB68-85	3
14	Main Spring (outer)	QD50009	1	31	Split pin Dia. 4x50	GB91-86 (Dia. 4x50)	2
15	Main Spring (inner)	QD50008	1	33	Split pin Dia. 4x30	SP3/030-GB91-86	2
16	Hook Spring	QD50007	1				



**YC90-SA MK2**

Item	Description	Part No.	Qty.	Item	Description	Part No.	Qty.
1	Top plate assy	QD90100C	1	22	Handle lock spring	QD50206	1
2	Mounting foot	QD90001C	2	23	Countersunk bolt M12x20	CB12/175/020-GB68-85	3
4	Pivot pin	QD90009C	2	24	Pin collar Dia. 24	PC24-GB894-86	1
5	Pivot bush	QD90008C	2	25	Spring Cotter pin Dia. 6x40	CP06/40-GB879-86	1
6	Washer, pivot pin	QD90010C	2	26	Spring Cotterpin Dia. 6x24	CP06/24-GB879-86	1
7	Hook	QL90014	1	27	Hex Bolt M10x1.5x65	HB10/150/065-GB5782-86	1
8	Wedge	QD90015B	1	28	Flate washer M10	FW10-GB97.1-85	1
9	Lever assy	QD90202B	1	29	Handle lock plate tube	QD50207	1
10	Plunger bolt	QD50014	1	30	Flange nut M10x1.5	FN10/150-GB6187-86	1
11	Handle assy	QD90203B	1	31	Castellated nut M30x2.0	CB30/200-GB6179-86	2
12	Handle pin	QD90204	1	32	Split pin Dia. 6x60	SP6/060-GB91-86	2
13	Adjusting rod assy	QD90400B	1	34	Full hex nut M8	FN08/125-GB41-86	1
14	Main Spring (outer)	QD90011B	1	35	Socket cap bolt M8x30	CB08/030-GB70-85	1
15	Main Spring (inner)	QD90012B	1	36	Split pin Dia. 5x40	SP4/040-GB91-86	1
16	Hook spring	QD90007B	1	37	Flate washer M24	FW24-GB95-85	1
19	Hook pin	QD90112B	1	38	Socket cap bolt M8x18	CB08/018-GB70-85	2
20	Wear ring	QD90122	1	39	Main spring plate	QD90303B	1
21	Handle lock plate	QD50205	1	40	Grease nipple Str M10x1	GN00-10/100-GB1152-89	1

**Repair Kit SPK190901**

Item	Description	Part No.	Qty.	Item	Description	Part No.	Qty.
5	Pivot bush	QD90008C	2	19	Hook Pivot Pin	QD90112B	1
7	Hook	QL90014	1	20	Wear Ring	QD90122	1
8	Wedge	QD90015B	1	23	Screw for Wear Ring	GB68-85 (M12x20-Q)	3
14	Main Spring (outer)	QD90011B	1	32	Dia. 6 x 70LG Split Pin	GB91-86 (Dia. 6x70)	2
15	Main Spring (inner)	QD90012B	1	36	Dia. 5 x 40LG Split Pin	GB91-86 (Dia. 5x40)	2
16	Hook Spring	QD90007B	1				